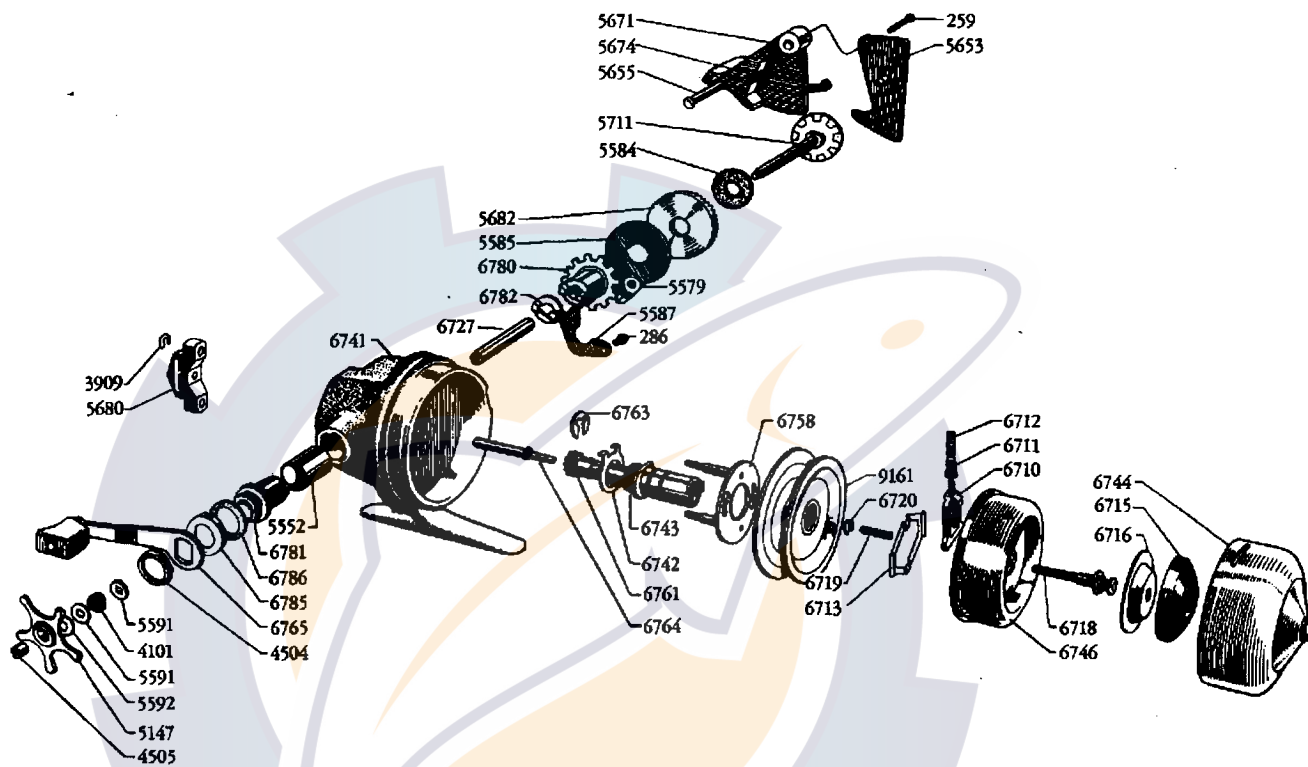


garcia

ABU-MATIC 170



No.	Part Name	Price	No.	Part Name	Price	No.	Part Name	Price
259	Cover screw20	5671	Release trigger with #5674	1.00	6742	Pinion bushing lock washer10
286	Lock-arm screw05	5674	Release trigger plate10	6743	Pinion bushing	1.50
3909	"C" lock05	5680	Oscillation guide50	6744	Bell cover	3.50
4101	Brake spring25	5682	Main gear with click spring.....	2.50	6746	Winding cup	5.00
4504	Handle bearing lock nut25	5711	Drive shaft with click plate	1.25	6758	Spool mount	1.00
4505	Handle lock nut (left-hand thread)....	.25	6710	Line pick-up ejector35	6761	Pinion	1.25
5147	Star wheel	1.50	6711	Line pick-up75	6763	Pinion "C" lock15
5552	Oilite bushing50	6712	Line pick-up spring10	6764	Throw-out pin50
5579	Anti-reverse dog75	6713	Line pick-up ejector clamp.....	.25	6765	Handle, complete	1.75
5584	Friction washer10	6715	Rubber cushion75	6780	Anti-reverse ratchet	1.00
5585	Fiber clutch disk50	6716	Rubber cushion plate25	6781	Handle bearing	1.00
5587	Lock-arm25	6718	Line pick-up release axle35	6782	Synchro-slide15
5591	Brake spring washer (set of 2)10	6719	Line pick-up release axle spring10	6785	Lock ring25
5592	Shim (optional)10	6720	"C" lock05	6786	Felt ring10
5653	Cover plate	1.00	6727	Drive shaft bushing35	9161	Spool with container	3.00
5655	Release trigger sleeve15	6741	Housing	7.00			